

## Request & order

# FORM – Stand-Up Support R2D2

Please tick off those options which apply. Please fill out the dimension sheet on the back and the form in legible handwriting with your personal data and send it to the contact address on the right hand side:

### PERSONAL INFORMATION

company: \_\_\_\_\_

name\*: \_\_\_\_\_

street\*: \_\_\_\_\_

postcode, city,  
country\*: \_\_\_\_\_

phone: \_\_\_\_\_

mobile: \_\_\_\_\_

email\*: \_\_\_\_\_

\*mandatory fields

### Contact

Firma Attris  
Herr Atilla Rist

Stettiner Straße 3  
D-86167 Augsburg

Tel.: +49 (0)821/74 34 21  
Fax: +49 (0)321/27 00 21 75  
Email: attris@web.de

This is a(n):  request  order

### R2D2 PRODUCT INFORMATION

Stand-Up Support standard

**R2D2-FIX** Art. Nr. 8140100  
Stand-Up Support with fixed handles

**R2D2-RABA** Art. Nr. 8140200  
Stand-Up Support with mobile handles

Custom-made device Please note the following custom-made device(s):

**R2D2 Heavy Duty** Art. Nr. 8140102  
For special weight requirements up to 250 kg

**R2D2 Special** Art. Nr. 8140104  
For special usage sites i.e. corner toilet  
Additional information about the usage site needed.

Special options Please add the following options:

**Bidet** Art. Nr. 8110611  
Incl. full intimate hygiene

**Remote control** Art. Nr. 8150101  
Additional to keypad

**Toilet seat** Art. Nr. 8141104  
Without lid

Vertical lift

**R2D2-V-FIX** Art. Nr. 8141100  
Stand-Up Support with fixed handles

**R2D2-V-RABA** Art. Nr. 8141200  
Stand-Up Support with mobile handles

**R2D2 Mobile** Art. Nr. 8140103  
For Stand-Up Supports in motor homes

**Splash-guard strip**  
Together with bidet Art. Nr. 5110012

**Connecting element**  
U-shaped connection Art. Nr. 8140109  
Further options on request.

## Designs & versions

# STAND-UP SUPPORT R2D2: FIX & RABA

## 1. STAND-UP SUPPORT STANDARD

**R2D2-FIX** Art. Nr. 8140100  
Stand-Up Support with fixed handles

**R2D2-RABA** Art. Nr. 8140200  
Stand-Up Support with mobile handles



design  
R2D2-FIX

## 2. VERTICAL LIFT

**R2D2-V-FIX** Art. Nr. 8141100  
Horizontal lifting power and fixed handles

**R2D2-V-RABA** Art. Nr. 8141200  
Horizontal lifting power and mobile handles



design  
R2D2-V-RABA

Well suited for wheel chair users

## On demand

# ADDITIONAL OPTIONS R2D2

### Bidet

Full intimate hygiene  
Art. Nr. 8110611

### Advantages of the bidet

- ✓ Sit-down/Stand-Up Support
- ✓ full intimate hygiene
- ✓ cleaning of the genital area
- ✓ special lady's shower
- ✓ comfortable seat heating
- ✓ hot air drying
- ✓ water pressure regulator
- ✓ temperature regulator
- ✓ odor neutralization

### Remote control

Additional to keypad,  
Helix cord connection  
Art. Nr. 8150101



### Toilet seat

Without lid Art. Nr. 8141104

### Splash-guard strip

Together with bidet Art. Nr. 5110012

### Connecting element

U-shaped connection Art. Nr. 8140109

### Additional options & custom-made device

Configure your Stand-Up Support R2D2 with individual additional options, i.e. bidet with full intimate hygiene. For special requirements note our custom-made devices. We will be happy to advice you in all aspects!

## On request

# CUSTOM-MADE DEVICE R2D2

**R2D2 Heavy Duty** Art. Nr. 8140102  
For weight requirements up to 250 kg

**R2D2 Mobile** Art. Nr. 8140103  
Stand-Up Support in motor homes

**R2D2 Special** Art. Nr. 8140104  
For special usage sites  
i.e. corner toilet

for motor homes,  
corner toilets,  
weight requirements...

Your personal custom-made device...

## INDIVIDUALISED PRODUCT ACCORDING TO CIRCUMSTANCES AND USAGE SITES

Financial resources number:

33.40.03.1004

Financing via your health insurance

### Contact

Firma Attris  
Herr Atilla Rist

Stettiner Straße 3  
D-86167 Augsburg

Telefon: +49 (0)821/74 34 21

Fax: +49 (0)321/27 00 21 75

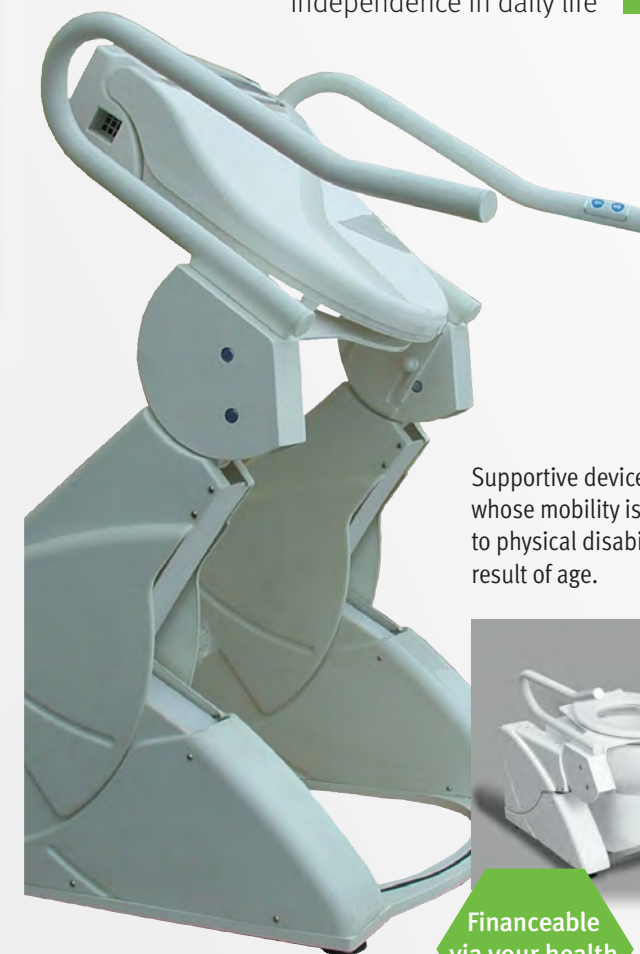
Email: attris@web.de

www.lifttoilette.de



# STAND-UP SUPPORT R2D2

comfort & security in life  
independence in daily life



Supportive device for people whose mobility is reduced due to physical disabilities or as a result of age.



Financeable via your health insurance

according to § 40ABS, 4 SGB XI

Electrical Sit-Down and Stand-Up Support for toilet usage



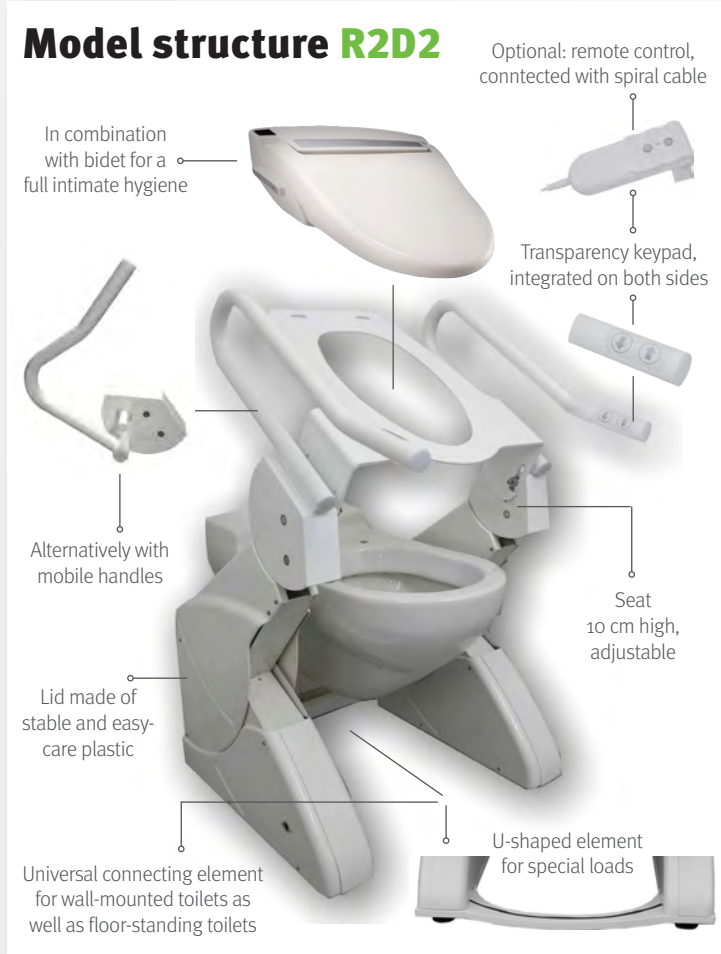
# Stand-Up Support R2D2: FIX & RABA



- Your advantages**
- ✓ effortless movement
  - ✓ smooth hight adjustment
  - ✓ smooth angle adjustment
  - ✓ different seat hight
  - ✓ designs with/without bidet
  - ✓ easy handling
  - ✓ low space requirement
  - ✓ no installation effort
  - ✓ modular design
  - ✓ stable and secure
- General technical information**
- ✓ max. hight: 590 - 860 mm
  - ✓ max. hight R2D2-V: 680 mm
  - ✓ inclination angle: 50°
  - ✓ connection: 230 V/50 Hz, 16 A
  - ✓ colour: white
  - ✓ drive control: 24 VDC
  - ✓ load: 150 kg
  - ✓ model Heavy Duty: 250 kg

Handling:  
remote control  
or  
keypad

modular  
delivery,  
no installation  
efforts



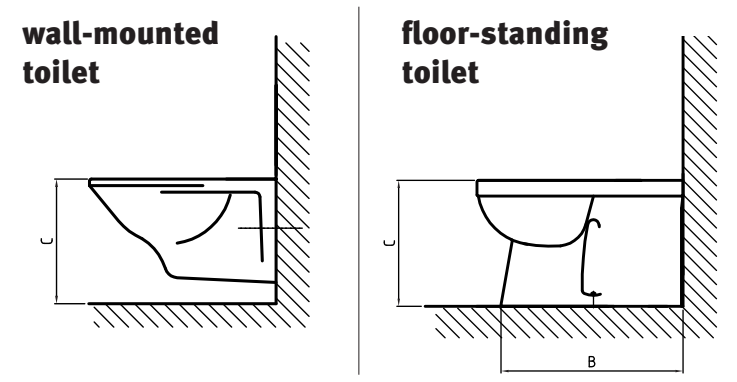
THE SMOOTH AND ELECTRICAL HIGHT AND INCLINATION ADJUSTMENT GUARANTEES SECURE AND JOINT-PROTECTIVE WAY TO SIT DOWN AND TO STAND UP

**Development and use in care**  
In the care sector the Stand-Up Support not only helps the patient but it also facilitates the physical work of the nursing staff. Additional the application of the Stand-Up Support saves time and money. The R2D2 has been developed in cooperation with doctors, therapists, architects and engineers. We guarantee a maximum of functionality, security and suitability for everyday use.

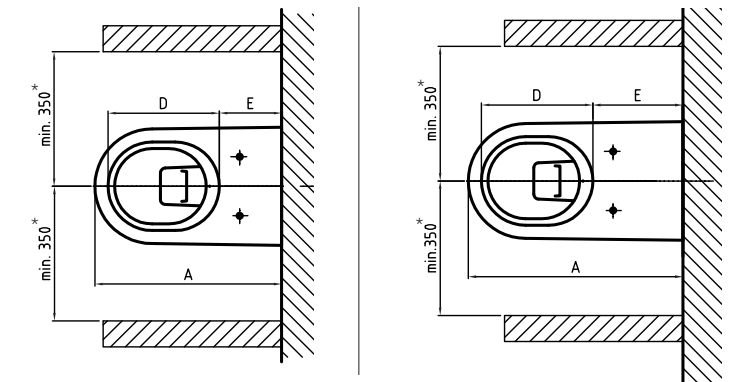
Alleviation of work for nursing staff

## Information about the usage site DATA SHEET – Stand-Up Support R2D2

Please fill out the right dimensions for the toilet-type. With the help of this data we will be able to adapt the Stand-Up Support R2D2 according to your personal circumstances and usage sites.



According to the sketch below only a space of 350 mm space is needed from the central axis of the toilet for the correct installation of the Stand-Up Support R2D2.



Please enter the dimensions (in mm) below according to the model type.

A	<input type="text"/>	C	<input type="text"/>	A	<input type="text"/>	B	<input type="text"/>
D	<input type="text"/>	E	<input type="text"/>	C	<input type="text"/>	D	<input type="text"/>
				E	<input type="text"/>		

\*For Stand-Up Support R2D2-RABA a minimum space of 400 mm is needed.

Financing via your health insurance  
Financial resources number:  
33.40.03.1004: 33.40.03.1004

**Usage sites**  
The Stand-Up Support is suitable for floor-standing and wall-mounted toilets. Every design will be produced on the basis of individual dimensions. We only need 35 cm space (R2D2-RABA 40 cm) of the central axis of your toilet.